



天津一洋五金有限公司



# 目 录

公司资质 Certificate .....	P1
防水180度软管连接器 Liquid-tight Straight Conduit Fittings .....	P2
防水90度软管连接器 Liquid-tight 90d Angle .....	P3
防水45度软管连接器 Liquid-tight 45d Angle .....	P4
锌合金接头 Zinc Alloyed Fittings .....	P5
波浪软管连接器 Vacuum Jacketed Conduit Fittings .....	P6
电缆接头 Cable Glands .....	P7
单勾电线电缆保护软管 Non-jacketed Squarelocked Flexible Metal Conduit.....	P8
波浪型防水电线电缆保护软管 Vacuum Jacketed Squarelocked Flexible Metal Conduit .....	P9
单勾耐压型防水电线电缆保护软管 Liquid-tight Squarelocked Flexible Metal Conduit.....	P10
双勾型电线电缆保护软管 Interlocked Flexible Metal Conduit .....	P11
双勾型防水电线电缆保护软管 Interlocked VJ Flexible Metal Conduit .....	P12
UL 型电线电缆保护软管 UL Type Flexible Metal Conduit .....	P13
低烟毒型电线电缆保护软管 Low Fire Hazard Covered Flexible Metal Conduit .....	P14
防爆型电线电缆保护软管 Explosive Proof VJ Flexible Metal Conduit .....	P15
防爆挠性连接管 Explosive Proof Flexible Pipe .....	P16
不锈钢金属软管 Stainless Steel Metal Hose .....	P17
加强筋软管 Spiral Reinforced PVC Conduit .....	P18
波纹管 Non-metallic Flexible Metal Conduit.....	P19
开口波纹管 Non-metallic Split Flexible Conduit.....	P20
快插式尼龙软管接头 Nylon Fast Union Conduit Fittings .....	P21
90度尼龙快插软管接头 90° Nylon Fast Union Conduit Fittings .....	P22
防水型接线箱连接器 Plica Connector(WBG Type).....	P23
防水型混合连接器 Plica Connector(WUG Type).....	P24
接线箱连接器 Plica Connector(BG Type) .....	P25
无螺纹连接器 Plica Connector(VKC-C & VKC-J).....	P26
直接头连接器 Plica Connector(KS & WC Type) .....	P27
混合连接器 Plica Connector(KG Type) .....	P28
绝缘护套 Insulating Jacket(BP&BPB).....	P29
普利卡软管基本型 Plica Tube LZ-4 .....	P30
普利卡软管防水型 Plica Tube LV-5 .....	P31
普利卡包塑阻燃型 Plica Tube LV-5Z.....	P32
普利卡不锈钢带型 Plica Tube LN-4B.....	P33
普利卡不锈钢包塑防水型 Plica Tube LN-5 .....	P34
可挠金属电气导管基本型 Electrical Tube KZ-1.....	P35
可挠金属电气导管防水型 Electrical Tube KV-1.....	P36
圆型接线盒 Circular Box.....	P37
防爆穿线盒 Explosive Proof Junction Box .....	P38
电线电缆保护系统 Cable Protection Systems .....	P41
软管接头系统 Conduit Fittings Systems .....	P42
工程案例 Project Case .....	P44

# 公司资质 Certificate



## Straight LT Fittings



- 材质：铁、铜、不锈钢
- 防护等级：IP68
- 镀层：锌、铬、镍

- Material : Iron, Brass, Stainless Steel
- Protection rating : IP68
- Plating : Zinc, Chrome, Nickel

型号 Part No.			螺纹标准			适配软管	通径(mm)
铁 Iron	铜 Brass	不锈钢SS	Thread Standard			英制 Inch	Conduit Size
LTC-I06	LTC-B06	LTC-S06	M14×1.5	G 1/4"		3/16"	Φ6
LTC-I07	LTC-B07	LTC-S07	M16×1.5	G 3/8"		1/4"	Φ8
LTC-I08	LTC-B08	LTC-S08	M16×1.5	G 3/8"		5/16"	Φ10
LTC-I09	LTC-B09	LTC-S09	M16×1.5	G 3/8"	NPT 3/8"	3/8"	Φ12
LTC-I10	LTC-B10	LTC-S10	M20×1.5	G 1/2"	NPT 1/2"	3/8"	Φ12
LTC-I11	LTC-B11	LTC-S11	M20×1.5	G 1/2"	NPT 1/2"	1/2"	Φ15
LTC-I12	LTC-B12	LTC-S12	M25×1.5	G 3/4"	NPT 3/4"	3/4"	Φ20
LTC-I13	LTC-B13	LTC-S13	M32×1.5	G 1"	NPT 1"	1"	Φ25
LTC-I14	LTC-B14	LTC-S14	M40×1.5	G 1-1/4"	NPT 1-1/4"	1-1/4"	Φ32
LTC-I15	LTC-B15	LTC-S15	M50×1.5	G 1-1/2"	NPT 1-1/2"	1-1/2"	Φ38
LTC-I16	LTC-B16	LTC-S16	M63×1.5	G 2"	NPT 2"	2"	Φ51
LTC-I17	LTC-B17	LTC-S17	M76×2.0	G 2-1/2"	NPT 2-1/2"	2-1/2"	Φ64
LTC-I18	LTC-B18	LTC-S18	M88×2.0	G 3"	NPT 3"	3"	Φ75
LTC-I19	LTC-B19	LTC-S19	M114×2.0	G 4"	NPT 4"	4"	Φ100



## 90° Angle LT Fittings



- 材质：铁、铜、不锈钢
- 防护等级：IP68
- 镀层：锌、铬、镍

- Material : Iron, Brass, Stainless Steel
- Protection rating : IP68
- Plating : Zinc, Chrome, Nickel

型号 Part No.			螺纹标准			适配软管	通径(mm)
铁 Iron	铜 Brass	不锈钢SS	Thread Standard			英制 Inch	Conduit Size
LTC-I209	LTC-B209	LTC-S209	M16×1.5	G 3/8"	NPT 3/8"	3/8"	Φ12
LTC-I20	LTC-B20	LTC-S20	M20×1.5	G 1/2"	NPT 1/2"	1/2"	Φ12
LTC-I21	LTC-B21	LTC-S21	M20×1.5	G 1/2"	NPT 1/2"	1/2"	Φ15
LTC-I22	LTC-B22	LTC-S22	M25×1.5	G 3/4"	NPT 3/4"	3/4"	Φ20
LTC-I23	LTC-B23	LTC-S23	M32×1.5	G 1"	NPT 1"	1"	Φ25
LTC-I24	LTC-B24	LTC-S24	M40×1.5	G 1-1/4"	NPT 1-1/4"	1-1/4"	Φ32
LTC-I25	LTC-B25	LTC-S25	M50×1.5	G 1-1/2"	NPT 1-1/2"	1-1/2"	Φ38
LTC-I26	LTC-B26	LTC-S26	M63×1.5	G 2"	NPT 2"	2"	Φ51

## 45° Angle LT Fittings



- 材质：铁、铜、不锈钢
- 防护等级：IP68
- 镀层：锌、铬、镍

- Material : Iron, Brass, Stainless Steel
- Protection rating : IP68
- Plating : Zinc, Chrome, Nickel

型号 Part No.			螺纹标准			适配软管	通径(mm)
铁 Iron	铜 Brass	不锈钢SS	Thread Standard			英制 Inch	Conduit Size
LTC-I309	LTC-B309	LTC-S309	M16×1.5	G 3/8"	NPT 3/8"	3/8"	Φ12
LTC-I30	LTC-B30	LTC-S30	M20×1.5	G 1/2"	NPT 1/2"	1/2"	Φ12
LTC-I31	LTC-B31	LTC-S31	M20×1.5	G 1/2"	NPT 1/2"	1/2"	Φ15
LTC-I32	LTC-B32	LTC-S32	M25×1.5	G 3/4"	NPT 3/4"	3/4"	Φ20
LTC-I33	LTC-B33	LTC-S33	M32×1.5	G 1"	NPT 1"	1"	Φ25
LTC-I34	LTC-B34	LTC-S34	M40×1.5	G 1-1/4"	NPT 1-1/4"	1-1/4"	Φ32
LTC-I35	LTC-B35	LTC-S35	M50×1.5	G 1-1/2"	NPT 1-1/2"	1-1/2"	Φ38
LTC-I36	LTC-B36	LTC-S36	M63×1.5	G 2"	NPT 2"	2"	Φ51



- 材质：锌合金
- 防护等级：IP67
- 镀层：锌、铬
- 90°弯头、45°弯头、内螺纹锌合金接头、卡套式、自固式供选择。
- Available For 90d angle, 45d angle and Female zinc alloy connectors

- Material : Zinc Alloy
- Protection rating : IP67
- Plating : Zinc, Chrome

锌合金 Zinc Alloy	螺纹标准 Thread Standard			适配软管	
				英制 Inch	Conduit Size
LTCD-06	M14×1.5	G 1/4"		3/16"	Φ6
LTCD-07	M16×1.5	G 3/8"		1/4"	Φ8
LTCD-08	M16×1.5	G 3/8"		5/16"	Φ10
LTCD-09	M16×1.5	G 3/8"	NPT 3/8"	3/8"	Φ12
LTCD-10	M20×1.5	G 3/8"	NPT 3/8"	3/8"	Φ12
LTCD-11	M20×1.5	G 1/2"	NPT 1/2"	1/2"	Φ15
LTCD-12	M25×1.5	G 3/4"	NPT 3/4"	3/4"	Φ20
LTCD-13	M32×1.5	G 1"	NPT 1"	1"	Φ25
LTCD-14	M40×1.5	G 1-1/4"	NPT 1-1/4"	1-1/4"	Φ32
LTCD-15	M50×1.5	G 1-1/2"	NPT 1-1/2"	1-1/2"	Φ38
LTCD-16	M63×1.5	G 2"	NPT 2"	2"	Φ51
LTCD-17	M76×2	G 2-1/2"	NPT 2-1/2"	2-1/2"	Φ64
LTCD-18	M88×2	G 3"	NPT 3"	3"	Φ75
LTCD-19	M114×2	G 4"	NPT 4"	4"	Φ100

## Vacuum Jacketed Fittings



- 材质：铁、铜、不锈钢
- 防护等级：IP54
- 镀层：锌、铬、镍

- Material : Iron, Brass, Stainless Steel
- Protection rating : IP54
- Plating : Zinc, Chrome, Nickel

型号 Part No.			螺纹标准			适配软管	通径(mm)
铁 Iron	铜 Brass	不锈钢SS	Thread Standard			英制 Inch	Conduit Size
VJC-I09	VJC-B09	VJC-S09	M16×1.5	G 3/8"	NPT 3/8"	3/8"	Φ12
VJC-I10	VJC-B10	VJC-S10	M20×1.5	G 1/2"	NPT 1/2"	3/8"	Φ12
VJC-I11	VJC-B11	VJC-S11	M20×1.5	G 1/2"	NPT 1/2"	1/2"	Φ15
VJC-I12	VJC-B12	VJC-S12	M25×1.5	G 3/4"	NPT 3/4"	3/4"	Φ20
VJC-I13	VJC-B13	VJC-S13	M32×1.5	G 1"	NPT 1"	1"	Φ25
VJC-I14	VJC-B14	VJC-S14	M40×1.5	G 1-1/4"	NPT 1-1/4"	1-1/4"	Φ32
VJC-I15	VJC-B15	VJC-S15	M50×1.5	G 1-1/2"	NPT 1-1/2"	1-1/2"	Φ38
VJC-I16	VJC-B16	VJC-S16	M63×1.5	G 2"	NPT 2"	2"	Φ51





- 材质: 铜镀镍、尼龙、不锈钢
- 密封圈材料: 丁晴橡胶
- 防护等级: IP68
- 耐温范围: -40°C~+120°C(静态)  
-40°C~+100°C(动态)
- 防爆标准: Exd II
- Material: Nickel Plated Brass , Nylon, Stainless Steel
- Material of Seal Ring: Nitrile-butadiene rubber
- Protection rating: IP68
- Temperature range: -40°C~+120°C(Static)  
-40°C~+100°C(Dynamic)
- Ex-mark: Exd II

型号 Part No.		螺纹标准 Thread Type	卡口范围 Clamping Range (mm)	螺纹长度 Thread length GL(mm)	螺纹外径 Thread O.D (mm)	扳手径 Spanner size (mm)
铜 Brass	不锈钢 SS					
CGB-M12	CGS-M12	M12x1.5	3-6	6.0	12.0	14.0
CGB-M14	CGS-M14	M14x1.5	3-6	6.0	14.0	17.0
CGB-M16	CGS-M16	M16x1.5	4-8	7.0	16.0	18.0
CGB-M18	CGS-M18	M18x1.5	6-10	8.0	18.0	20.0
CGB-M20	CGS-M20	M20x1.5	8-12	8.0	20.0	22.0
CGB-M22	CGS-M22	M22x1.5	10-14	9.0	22.0	24.0
CGB-M24	CGS-M24	M24x1.5	10-14	10.0	24.0	24.0
CGB-M25	CGS-M25	M25x1.5	10-14	10.0	25.0	24.0
CGB-M27	CGS-M27	M27x2.0	13-18	11.0	27.0	30.0
CGB-M30	CGS-M30	M30x2.0	13-18	11.0	30.0	30.0
CGB-M32	CGS-M32	M32x1.5	15-22	11.0	32.0	35.0
CGB-M33	CGS-M33	M33x2.0	15-22	11.0	33.0	35.0
CGB-M36	CGS-M36	M36x2.0	18-25	11.0	36.0	40.0
CGB-M40	CGS-M40	M40x1.5	18-25	12.0	40.0	45.0
CGB-M42	CGS-M42	M42x2.0	22-28	12.0	42.0	45.0
CGB-M48	CGS-M48	M48x2.0	25-32	13.0	48.0	52.0
CGB-M50	CGS-M50	M50x1.5	26-32	13.0	50.0	55.0
CGB-M54	CGS-M54	M54x2.0	32-38	14.0	54.0	57.0
CGB-M60	CGS-M60	M60x2.0	37-44	14.0	60.0	64.0
CGB-M63	CGS-M63	M63x1.5	37-44	14.0	63.0	68.0
CGB-M64	CGS-M64	M64x2.0	37-44	14.0	64.0	68.0
CGB-P7	CGS-P7	PG7	3-6	6.0	12.5	14.0
CGB-P9	CGS-P9	PG9	4-8	7.0	15.2	17.0
CGB-P11	CGS-P11	PG11	6-10	8.0	18.6	20.0
CGB-P13.5	CGS-P13.5	PG13.5	8-12	8.0	20.4	22.0
CGB-P16	CGS-P16	PG16	10-14	9.0	22.5	24.0
CGB-P19	CGS-P19	PG19	8-16	9.0	25.0	27.0
CGB-P21	CGS-P21	PG21	13-18	11.0	28.3	30.0
CGB-P29	CGS-P29	PG29	18-25	11.0	37.0	40.0
CGB-P36	CGS-P36	PG36	26-32	13.0	47.0	50.0
CGB-P42	CGS-P42	PG42	32-38	14.0	54.0	57.0
CGB-P48	CGS-P48	PG48	37-44	14.0	59.3	64.0
CGB-G1/4"	CGS-G1/4"	G1/4"	3-6	6.0	13.0	14.0
CGB-G3/8"	CGS-G3/8"	G3/8"	4-8	7.0	16.7	18.0
CGB-G1/2"	CGS-G1/2"	G1/2"	8-12	8.0	21.0	22.0
CGB-G3/4"	CGS-G3/4"	G3/4"	13-18	11.0	26.4	30.0
CGB-G1"	CGS-G1"	G1"	15-22	11.0	33.3	40.0
CGB-G1-1/4"	CGS-G1-1/4"	G1-1/4"	22-28	12.0	41.9	50.0
CGB-G1-1/2"	CGS-G1-1/2"	G1-1/2"	26-32	13.0	47.8	57.0
CGB-G2"	CGS-G2"	G2"	37-44	14.0	59.6	64.0

# Non-jacketed Squarelocked Flexible Metal Conduit

## 单勾电线电缆保护软管



- 材质：镀锌钢带、不锈钢钢带
- 防护等级：IP40
- 耐温范围：-50°C~+300°C
- Material:Galvanized Steel(S), Stainless Steel(SS)
- Protection rating: IP40
- Temperature Range: -50°C~+300°C

型号 Part No.		规格 Normal Size		内径 (mm)	外径 (mm)	弯曲半径 (mm)	包装 (m/coil)
镀锌钢带S	不锈钢钢带SS	英制 Inch	通径 (mm)	I.D.	O.D.	Bending Radius	Packing
FM-7S	FM-7SS	3/16"	φ6	5.70-6.00	8.20-8.50	22.5	100
FM-8S	FM-8SS	1/4"	φ8	7.80-8.10	10.50-10.80	22.5	100
FM-9S	FM-9SS	5/16"	φ10	9.70-10.00	13.20-13.50	30.0	50
FM-10S	FM-10SS	3/8"	φ12	12.30-12.60	15.50-15.80	33.0	50
FM-11S	FM-11SS	1/2"	φ15	15.70-16.00	19.50-20.00	40.0	50
FM-12S	FM-12SS	3/4"	φ20	19.70-20.00	24.50-24.80	50.0	50
FM-13S	FM-13SS	1"	φ25	25.30-25.80	30.00-30.50	55.0	50
FM-14S	FM-14SS	1-1/4"	φ32	32.30-32.80	37.50-38.00	80.0	25
FM-15S	FM-15SS	1-1/2"	φ38	38.30-38.80	44.50-45.00	90.0	25
FM-16S	FM-16SS	2"	φ51	50.00-50.50	58.30-58.80	110.0	20
FM-17S	FM-17SS	2-1/2"	φ64	62.50-63.20	72.30-73.00	130.0	10
FM-18S	FM-18SS	3"	φ75	73.00-73.70	83.30-84.00	160.0	10
FM-19S	FM-19SS	4"	φ100	87.50-88.50	108.00-109.00	210.0	5



- 材质：镀锌钢带、不锈钢钢带
  - PVC包塑：黑、灰、黄等
  - 防护等级：IP65
  - 耐温范围：-20°C~+90°C
- Material:Galvanized Steel(S), Stainless Steel(SS)
  - PVC Jacket: Black, grey,orange etc..
  - Protection rating: IP65
  - Temperature range: -20°C~+90°C

型号 Part No.		规格 Normal Size		内径 (mm)	外径 (mm)	弯曲半径 (mm)	包装 (m/coil)
镀锌钢带S	不锈钢钢带SS	英制 Inch	通径 (mm)	I.D.	O.D.	Bending Radius	Packing
VJ-7S	VJ-7SS	3/16"	φ6	5.70-6.00	8.90-9.20	55.0	100
VJ-8S	VJ-8SS	1/4"	φ8	7.80-8.10	12.00-12.30	55.0	100
VJ-9S	VJ-9SS	5/16"	φ10	9.70-10.00	14.00-14.30	60.0	50
VJ-10S	VJ-10SS	3/8"	φ12	12.30-12.60	16.50-16.80	60.0	50
VJ-11S	VJ-11SS	1/2"	φ15	15.70-16.00	20.50-20.80	85.0	50
VJ-12S	VJ-12SS	3/4"	φ20	19.70-20.00	25.30-25.60	100.0	50
VJ-13S	VJ-13SS	1"	φ25	25.30-25.80	30.70-31.20	120.0	50
VJ-14S	VJ-14SS	1-1/4"	φ32	32.30-32.80	38.50-39.00	150.0	25
VJ-15S	VJ-15SS	1-1/2"	φ38	38.30-38.80	45.70-46.20	180.0	25
VJ-16S	VJ-16SS	2"	φ51	50.00-50.50	58.80-59.30	220.0	20
VJ-17S	VJ-17SS	2-1/2"	φ64	62.50-63.20	73.50-74.00	310.0	10
VJ-18S	VJ-18SS	3"	φ75	73.00-73.70	84.50-85.20	350.0	10
VJ-19S	VJ-19SS	4"	φ100	97.50-98.50	109.50-110.50	410.0	5

# Liquid-tight Squarelocked Flexible Metal Conduit

## 单勾耐压型防水电线电缆保护软管 (LT-Type)



- 材质：镀锌钢带+ 棉线
- PVC包塑：黑、灰等
- 防护等级：IP67
- 耐温范围：-30°C~+120°C

- Material:Galvanized Steel + yarn
- PVC Jacket: Black, grey etc..
- Protection rating: IP67
- Temperature Range: -30°C~+120°C

型号 Part No.		规格 Normal Size		内径 (mm)	外径 (mm)	弯曲半径 (mm)	包装 (m/coil)
黑 Black	灰 Grey	英制 Inch	通径 (mm)	I.D.	O.D.	Bending Radius	Packing
LT-8B	LT-8G	1/4"	φ10	9.60-9.80	14.00-14.20	60.0	50
LT-10B	LT-10G	3/8"	φ12	12.29-12.80	17.50-18.00	60.0	50
LT-11B	LT-11G	1/2"	φ15	15.80-16.31	20.80-21.30	80.0	50
LT-12B	LT-12G	3/4"	φ20	20.83-21.34	25.20-26.70	100.0	50
LT-13B	LT-13G	1"	φ25	26.44-27.08	32.80-33.40	150.0	50
LT-14B	LT-14G	1-1/4"	φ32	35.05-35.81	41.40-42.20	180.0	20
LT-15B	LT-15G	1-1/2"	φ38	40.01-40.64	47.40-48.30	200.0	20
LT-16B	LT-16G	2"	φ51	51.31-51.94	59.40-60.30	250.0	20
LT-17B	LT-17G	2-1/2"	φ64	62.99-63.63	72.10-73.00	300.0	10
LT-18B	LT-18G	3"	φ75	77.98-78.74	87.90-88.90	450.0	10
LT-19B	LT-19G	4"	φ100	101.60-102.62	113.30-114.30	600.0	10



- 材质：镀锌钢带、不锈钢钢带
- 防护等级：IP50
- 耐温范围：-50°C~+300°C
- Material:Galvanized Steel ( S ) , Stainless Steel ( SS )
- Protection rating: IP50
- Temperature Range: -50°C~+300°C

型号 Part No.		规格 Normal Size		内径 (mm)	外径 (mm)	包装 (m/coil)
镀锌钢带S	不锈钢钢带SS	英制 Inch	通径 (mm)	I.D.	O.D.	Packing
FM-2IS	FM-2ISS			4.00	6.00	100
FM-3IS	FM-3ISS			4.60	6.60	100
FM-4IS	FM-4ISS			5.00	7.00	100
FM-5IS	FM-5ISS			5.40	7.80	100
FM-6IS	FM-6ISS			5.90	8.40	100
FM-7IS	FM-7ISS			6.60	9.00	100
FM-8IS	FM-8ISS			7.00	9.50	100
FM-9IS	FM-9ISS	1/4"		9.50	12.50	50
FM-10IS	FM-10ISS	3/8"	φ12	12.50	15.70	50
FM-11IS	FM-11ISS	1/2"	φ15	16.10	19.50	50
FM-12IS	FM-12ISS			19.10	22.20	50
FM-13IS	FM-13ISS	3/4"	φ20	20.80	24.30	40
FM-14IS	FM-14ISS			22.00	25.70	40
FM-15IS	FM-15ISS	1"	φ25	26.00	30.00	30
FM-16IS	FM-16ISS	1-1/4"	φ32	34.00	39.00	30
FM-17IS	FM-17ISS	1-1/2"	φ38	39.00	44.00	20
FM-18IS	FM-18ISS	2"	φ51	51.00	56.00	10
FM-19IS	FM-19ISS	2-1/2"	φ64	63.00	67.50	10



# Interlocked VJ Flexible Metal Conduit

## 双勾型防水电线电缆保护软管



- 材质：镀锌钢带、不锈钢钢带
- PVC包塑：黑、灰
- 防护等级：IP67
- 耐温范围：-30°C~+120°C
- Material:Galvanized Steel ( S ) , Stainless Steel ( SS )
- PVC Jacket: Black, grey
- Protection rating: IP67
- Temperature Range: -30°C~+120°C

型号	Part No.	规格 Normal Size		内径 (mm)	外径 (mm)	包装 (m/coil)
镀锌钢带S	不锈钢钢带SS	英制 Inch	通径 (mm)	I.D.	O.D.	Packing
VJ-2IS	VJ-2ISS			4.00	7.00	100
VJ-3IS	VJ-3ISS			4.60	8.00	100
VJ-4IS	VJ-4ISS			5.00	8.00	100
VJ-5IS	VJ-5ISS			5.40	9.50	100
VJ-6IS	VJ-6ISS			5.90	10.00	100
VJ-7IS	VJ-7ISS			6.60	10.00	100
VJ-8IS	VJ-8ISS			7.00	11.50	100
VJ-9IS	VJ-9ISS	1/4"		9.50	13.20	50
VJ-10IS	VJ-10ISS	3/8"	φ12	12.50	17.70	50
VJ-11IS	VJ-11ISS	1/2"	φ15	16.10	21.30	50
VJ-12IS	VJ-12ISS			19.10	24.50	50
VJ-13IS	VJ-13ISS	3/4"	φ20	20.80	26.70	40
VJ-14IS	VJ-14ISS			22.00	28.00	40
VJ-15IS	VJ-15ISS	1"	φ25	26.00	33.00	30
VJ-16IS	VJ-16ISS	1-1/4"	φ32	34.00	42.20	30
VJ-17IS	VJ-17ISS	1-1/2"	φ38	39.00	47.80	20
VJ-18IS	VJ-18ISS	2"	φ51	51.00	59.40	10
VJ-19IS	VJ-19ISS	2-1/2"	φ64	63.00	72.50	10



- 材质：镀锌钢带、铝带
  - 防护等级：IP50
  - 耐温范围：-50°C~+300°C
- Material: Galvanized Steel ( S ) , Aluminum ( A )
  - Protection rating: IP50
  - Temperature Range: -50°C~+300°C

型号 Part No.		规格 Normal Size		内径 (mm)	外径 (mm)	弯曲半径 (mm)	包装 (m/coil)
镀锌钢带S	铝带A	英制 Inch	通径 (mm)	I.D.	O.D.	Bending Radius	Packing
FM-10ULS	FM-10ULA	3/8"	φ12	9.52-9.96	14.22-15.49	51.0	50
FM-11ULS	FM-11ULA	1/2"	φ15	15.88-16.38	21.84-23.37	76.0	50
FM-12ULS	FM-12ULA	3/4"	φ20	20.62-21.21	26.54-28.07	102.0	50
FM-13ULS	FM-13ULA	1"	φ25	25.40-26.42	33.02-35.05	127.0	30
FM-14ULS	FM-14ULA	1-1/4"	φ32	31.75-33.02	39.37-41.40	159.0	30
FM-15ULS	FM-15ULA	1-1/2"	φ38	38.10-40.01	46.99-49.53	190.0	20
FM-16ULS	FM-16ULA	2"	φ51	50.80-52.83	59.69-62.23	254.0	10

# Low Fire Hazard Covered Flexible Metal Conduit

## 低烟毒电线电缆保护软管



- 镀锌铁皮制成,表面低烟毒塑料被覆,
  - 轻质结构, 绝佳弯曲性能及低烟毒耐燃特性,
  - 使用于任何狭小空间或通风不良, 注重生命安全等之电气配管区域,
  - 耐温范围: -10°C~+90°C.
- Galvanized steel core, plastic jacketed.
  - Light weight style, excellent flexibility and low fire hazard low smoke.
  - Use for the place with poor ventilation or the environment needs more secure care or any narrow space for electrical wiring applications.
  - Temperature range : -10°C~+90°C.

型号	Part No.	规格 Normal Size		内径 (mm)	外径 (mm)	弯曲半径 (mm)	包装 (m/coil)
镀锌钢带S	不锈钢钢带SS	英制 Inch	通径 (mm)	I.D.	O.D.	Bending Radius	Packing
LFH-10S	LFH-10SS	3/8"	φ12	12.30-12.60	16.50-16.80	60.0	50
LFH-11S	LFH-11SS	1/2"	φ15	15.70-16.00	20.50-20.80	85.0	50
LFH-12S	LFH-12SS	3/4"	φ20	19.70-20.00	25.30-25.60	100.0	50
LFH-13S	LFH-13SS	1"	φ25	25.30-25.80	30.70-31.20	120.0	50
LFH-14S	LFH-14SS	1-1/4"	φ32	32.30-32.80	38.50-39.00	150.0	25
LFH-15S	LFH-15SS	1-1/2"	φ38	38.30-38.80	45.70-46.20	180.0	25
LFH-16S	LFH-16SS	2"	φ51	50.00-50.50	58.80-59.30	220.0	20
LFH-17S	LFH-17SS	2-1/2"	φ64	62.50-63.20	73.50-74.00	310.0	10
LFH-18S	LFH-18SS	3"	φ75	73.00-73.70	84.50-85.20	350.0	10
LFH-19S	LFH-19SS	4"	φ100	97.50-98.50	109.50-110.50	410.0	10



- 镀锌铁皮制成,表面被覆耐延烧PVC材料,外层编织不锈钢丝.以起到防爆功效,
  - 极佳柔软性及绝对防水、防爆效果,
  - 吸收移动和震动的性能,多方向弯曲挠性,
  - 耐温范围: -50°C~+300°C,
  - 适合使用于油气水气重之场所,
  - 适合配套铁镀锌接头、铜镀镍、不锈钢或锌合金接头。
- Galvanized steel square-locked core with flame resistant PVC coated, outside layer with stainless steel braided to achieve effect of explosive proof.
  - High flexibility, absolutely waterproof, explosive proof effect.
  - Absorb moving and shake function, high bendability
  - Temperature range: -50°C~+300°C.
  - Use for the place with strong oil-gas and hydrosphere.
  - Suitable fittings: Zinc plated steel, nickel plated brass, Stainless steel or zinc alloyed fittings.

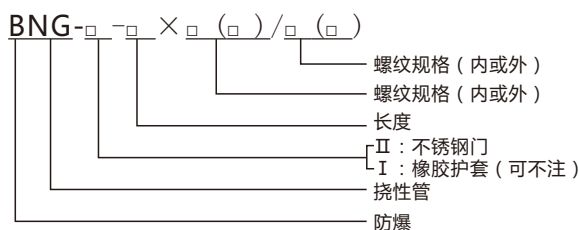
型号 Part No.	规格 Normal Size		内径 (mm)	外径 (mm)	弯曲半径 (mm)	包装 (m/coil)
镀锌钢带S	英制 Inch	通径 (mm)	I.D.	O.D.	Bending Radius	Packing
PVJ-8	1/4"	φ8		12.65-12.95	70.0	50
PVJ-9	5/16"	φ10		14.65-14.95	70.0	50
PVJ-10	3/8"	φ12	11.50-12.50	17.15-17.45	70.0	50
PVJ-11	1/2"	φ15	14.80-16.00	21.15-21.45	90.0	50
PVJ-12	3/4"	φ20	19.00-20.00	25.95-26.25	110.0	50
PVJ-13	1"	φ25	24.50-25.00	31.35-31.85	150.0	50
PVJ-14	1-1/4"	φ32	31.50-32.50	39.15-39.65	175.0	25
PVJ-15	1-1/2"	φ38	37.50-38.50	46.35-46.85	200.0	25
PVJ-16	2"	φ51	49.50-50.50	59.45-59.95	230.0	20
PVJ-17	2-1/2"	φ64	62.50-65.00	74.15-74.65	250.0	10
PVJ-18	3"	φ75	73.00-76.00	85.15-85.85	300.0	10
PVJ-19	4"	φ100	97.00-103.00	110.15-110.15	500.0	5



## 适用范围

- 1区 2区危险场所。
- IIA、IIB、IIC、类爆炸性气体环境。

## 型号含义

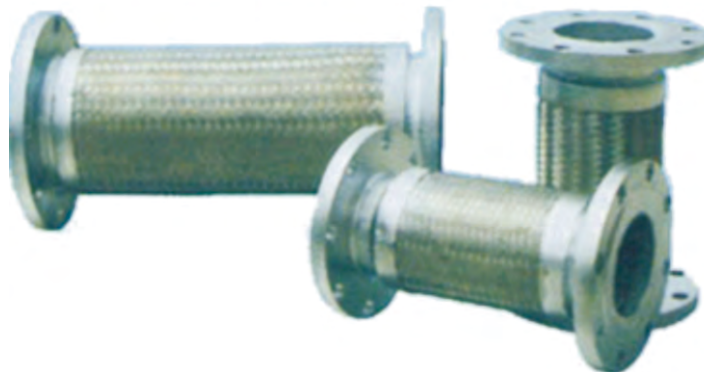


## 产品特点

- 具有耐燃、耐腐蚀、耐水、耐老化、挠性良好、结构牢固、工作可靠等优点。
- 挠性管长度，螺纹尺寸可根据用户需要特殊加工。如NPT螺纹，公制螺纹等。
- 注：标注螺纹规格时应注明内外螺纹。如：BNG-700X 3/4" (内) / G1" (外) 意为长度为700,一端为内螺纹G3/4",一端为外螺纹G1"的橡胶护套挠性连接管。
- 符合GB3836-2000,IEC60079标准要求。
- 防爆标志：Exe II

型号 Part No.	管内径 I.D (mm)	接头管螺纹 (G ")	长度 Length (mm)	最小弯曲半径 min.Bending Radius (mm)
BNG700×G1/2	15.0	1/2	700	80
BNG1000×G1/2	15.0	1/2	1000	80
BNG700×G3/4	20.0	3/4	700	110
BNG1000×G3/4	20.0	3/4	1000	110
BNG700×G1	25.0	1	700	145
BNG1000×G1	25.0	1	1000	145
BNG700×G1-1/4	32.0	1-1/4	700	160
BNG1000×G1-1/4	32.0	1-1/4	1000	180
BNG700×G1-1/2	40.0	1-1/2	700	210
BNG1000×G1-1/2	40.0	1-1/2	1000	210
BNG700×G2	50.0	2	700	250
BNG1000×G2	50.0	2	1000	250
BNG700×G2-1/2	70.0	2-1/2	700	350
BNG1000×G2-1/2	70.0	2-1/2	1000	350
BNG700×G3	80.0	3	700	400
BNG1000×G3	80.0	3	1000	400
BNG700×G4	100.0	4	700	500
BNG1000×G4	100.0	4	1000	500





- 结构：由不锈钢波纹管外编一层或多层钢丝或钢带网套，两端配以接头或法兰头，用于输送各种介质的柔性元件。
- 特点：耐腐蚀、耐高温、耐低温(-196°C ~+420°C)，重量轻、体积小、柔软性好。广泛用于航空、航天、石油、化工、冶金、电力、造纸、木材、纺织、建筑、医药、食品、烟草、交通等行业。
- Structure : Stainless steel hose with outside layer or multi-layer stainless steel wire or stainless steel nets . Together with connectors or flanged head at both ends.
- Features : have good flexibility, corrosion resistance, temperature range from -196°C to +420°C. Widely used in aviation, aerospace, petroleum, chemical, metallurgy, electricity, paper, wood, textile, construction, medicine, food, tobacco, transportation and other industries.

通径 Hose Descriptions	尺寸 Size(mm)		弯曲半径 Bending Radius(mm)		软管使用压力 Hose Pressure	
	内径 (ID)	外径 (OD)	最小 (min)	最大 (max)	(kgf / cm <sup>2</sup> )	(Mpa)
10	10.5	15.2	20	140	50	4.9
15	13.4	18.5	30	160	40	3.9
20	19.1	25.6	30	200	30	2.9
25	25.4	32.8	40	220	25	2.5
32	32.9	40.6	40	290	25	2.5
40	39.3	47.6	50	360	25	2.5
50	51.8	61.5	60	470	25	1.2



- 材质：PVC、PU
- 防水等级：IP67
- 耐温范围：-25°C ~ +75°C
- 内壁光滑，颜色可以定制
- PVC管里面加塑筋,极佳的柔软性，通过RoHs 认证。
- 凸筋和平筋供选择。

- Material: PVC, PU
- IP Rating: IP67
- Temperature range : -25°C ~ +75°C
- PVC spiral hose with unbreakable core inside.
- Smooth wall inside,different colors can be produced, RoHs approval.
- Available for convoluted exterior & smooth exterior

规格 Specification	凸筋 Convoluted Exterior		平筋 Smooth Exterior	
	内径 I.D (mm)	外径 O.D (mm)	内径 I.D (mm)	外径 O.D (mm)
16	12	16.4	12.55	17.65
20	16	20.7	16.05	21.97
25	22	27.7	21.08	26.29
32	28	33.5	26.82	32.94
40	35	41.0	35.56	41.65
50	40	46.4	40.38	47.67
63	50	57.2	51.69	59.74

## PA



- 材质：尼龙 66
- 柔软性高、具有良好的弯曲性，能耐油、耐酸、耐腐蚀、不易燃烧
- 防护等级：IP65
- 耐温范围：-40°C ~ +140°C
- 阻燃等级：V0
- Material : Nylon 66
- High flexibility and good bending anti-oil,acid,corrosion,nonflammable
- Protection rating : IP65
- Temperature range : -40°C ~ +140°C
- Flame retardant rating : V0

型号Part No.		内径×外径 (mm)	弯曲半径 (mm)	包装(m/coil)
黑Black	灰Grey	I.D×O.D	Bending Radius	Packing
PAB10	PAG10	6.5×10.0	30	100
PAB11	PAG11	10.0×13.0	40	100
PAB12	PAG12	12.0×15.8	50	100
PAB13	PAG13	14.3×18.5	60	100
PAB14	PAG14	17.0×21.2	70	100
PAB15	PAG15	23.0×28.5	100	100
PAB16	PAG16	29.0×34.5	120	50
PAB17	PAG17	36.0×42.5	150	25
PAB18	PAG18	48.0×54.5	180	25
PAB19	PAG19	56.2×67.2	260	10
PAB20	PAG20	66.5×80.0	350	10

## PE



- 材质：聚乙烯
- 柔软性高、具有良好的弯曲性，能耐油、耐酸、耐腐蚀、不易燃烧
- 防护等级：IP65
- 耐温范围：-40°C ~ +110°C
- 阻燃等级：V0
- Material : Polythene
- High flexibility and good bending anti-oil,acid,corrosion,nonflammable
- Protection rating : IP65
- Temperature range : -40°C ~ +110°C
- Flame retardant rating : V0

型号Part No.		内径×外径 (mm)	弯曲半径 (mm)	包装(m/coil)
黑Black	灰Grey	I.D×O.D	Bending Radius	Packing
PEB10	PEG10	6.5×10.0	30	100
PEB11	PEG11	10.0×13.0	40	100
PEB12	PEG12	12.0×15.8	50	100
PEB13	PEG13	14.3×18.5	60	100
PEB14	PEG14	17.0×21.2	70	100
PEB15	PEG15	23.0×28.5	100	100
PEB16	PEG16	29.0×34.5	120	50
PEB17	PEG17	36.0×42.5	150	25
PEB18	PEG18	48.0×54.5	180	25
PEB19	PEG19	56.2×67.2	260	10
PEB20	PEG20	66.5×80.0	350	10

## PP



- 材质：聚丙烯
- 柔软性高、具有良好的弯曲性，能耐油、耐酸、耐腐蚀、不易燃烧
- 防护等级：IP65
- 耐温范围：-30°C ~ +120°C
- Material : Polypropylene
- High flexibility and good bending anti-oil,acid,corrosion,nonflammable
- Protection rating : IP65
- Temperature range : -30°C ~ +120°C

型号Part No.		内径×外径 (mm)	弯曲半径 (mm)	包装(m/coil)
黑Black	灰Grey	I.D×O.D	Bending Radius	Packing
PPB10	PPG10	6.5×10.0	30	100
PPB11	PPG11	10.0×13.0	40	100
PPB12	PPG12	12.0×15.8	50	100
PPB13	PPG13	14.3×18.5	60	100
PPB14	PPG14	17.0×21.2	70	100
PPB15	PPG15	23.0×28.5	100	100
PPB16	PPG16	29.0×34.5	120	50
PPB17	PPG17	36.0×42.5	150	25
PPB18	PPG18	48.0×54.5	180	25

## PAS



- 结构：单开口型
- 材质：尼龙66
- 耐油、耐酸、耐腐蚀、不易燃烧
- 防护等级：IP40
- 耐温范围：-50°C ~ +110°C
- 阻燃等级：V0
- Structure : Single split
- Material : Nylon 66
- Anti-oil, acid, corrosion, nonflammable
- Protection rating : IP40
- Temperature range : -50°C ~ +110°C
- Flame retardant rating : V0

型号Part No.		内径×外径 (mm)	弯曲半径 (mm)	包装 (m/coil)
黑 Black	灰 Grey	I.D×O.D	Bending Radius	Packing
PASB10	PASG10	6.5×10.0	30	100
PASB11	PASG11	10.0×13.0	40	100
PASB12	PASG12	12.0×15.8	50	100
PASB13	PASG13	14.3×18.5	60	100
PASB14	PASG14	17.0×21.2	70	100
PASB15	PASG15	23.0×28.5	100	100
PASB16	PASG16	29.0×34.5	120	50
PASB17	PASG17	36.0×42.5	150	50
PASB18	PASG18	48.0×54.5	180	25

## PAD



- 结构：双开口型
- 材质：尼龙66
- 耐油、耐酸、耐腐蚀、易于安装
- 防护等级：IP45
- 耐温范围：-40°C ~ +120°C，短时间可达+150°C
- Structure : Double split
- Material : Nylon 66
- Anti-oil, acid, corrosion, nonflammable
- Protection rating : IP45
- Temperature range : -40°C ~ +120°C

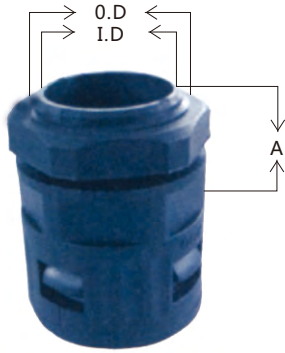
型号Part No.		内径×外径 (mm)	弯曲半径 (mm)	包装 (m/coil)
黑 Black	灰 Grey	I.D×O.D	Bending Radius	Packing
PADB10	PADG10	8.9×13.8	55	25
PADB11	PADG11	12.8×18.7	75	25
PADB12	PADG12	20.0×25.8	105	25
PADB13	PADG13	24.8×31.4	125	25
PADB14	PADG14	31.4×41.9	170	25
PADB15	PADG15	43.3×54.5	190	25

## PAC



- 名称：双开口软管接头
- 材质：尼龙66
- 颜色：黑
- Name : Double split nylon conduit fittings
- Material : Nylon 66
- Color : Black

型号 Part No.	螺纹标准 Thread Type	螺纹长度 (mm) Thread Length	内径 (mm) I.D
PAC10	PG9	12	9.0
PAC11	PG13.5	17	13.0
PAC12	PG21	17	20.0
PAC13	PG29	21	24.0
PAC14	PG29	22	31.0

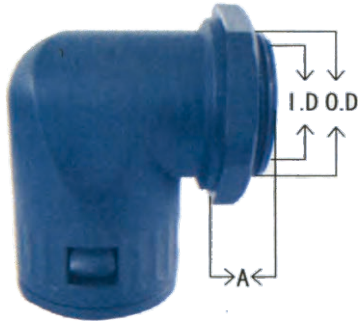


- 材质：尼龙66
- 颜色：黑、灰
- 防火等级：UL94V-2
- 防护等级：IP54
- 耐高温范围：-40°C ~ +115°C
- Material : Nylon 66
- Color : Black、grey
- Fire-protection class : UL94V-2
- Protection rating : IP54
- Temperature range : -40°C ~ +115°C

型号 Part No.		螺纹标准 Thread Type	适配软管 Conduit Size	外径 O.D (mm)	内径 I.D (mm)	A (mm)
黑 Black	灰 Grey					
DRIB-M12	DRIG-M12	M12×1.5	AD10.0	12.0	7.0	10.0
DRIB-M16	DRIG-M16	M16×1.5	AD10.0	16.0	10.0	9.5
DRIB-M16-1	DRIG-M16-1	M16×1.5	AD13.0	16.0	10.0	9.5
DRIB-M18	DRIG-M18	M18×1.5	AD15.8	18.0	12.0	9.5
DRIB-M20	DRIG-M20	M20×1.5	AD18.5	20.0	14.5	11.0
DRIB-M20-1	DRIG-M20-1	M20×1.5	AD21.2	20.0	15.5	13.0
DRIB-M24	DRIG-M24	M24×1.5	AD21.2	24.0	17.0	13.0
DRIB-M25	DRIG-M25	M25×1.5	AD25.0	25.0	17.0	13.0
DRIB-M25-1	DRIG-M25-1	M25×1.5	AD28.5	25.0	20.5	13.0
DRIB-M27	DRIG-M27	M27×2.0	AD28.5	27.0	22.5	13.0
DRIB-M30	DRIG-M30	M30×2.0	AD28.5	30.0	23.5	13.0
DRIB-M32	DRIG-M32	M32×1.5	AD28.5	32.0	23.5	13.0
DRIB-M32-1	DRIG-M32-1	M32×1.5	AD34.5	32.0	26.0	12.0
DRIB-M36	DRIG-M36	M36×2.0	AD34.5	36.0	30.0	12.0
DRIB-M40	DRIG-M40	M40×1.5	AD34.5	40.0	28.5	12.0
DRIB-M40-1	DRIG-M40-1	M40×1.5	AD42.5	40.0	39.0	14.0
DRIB-M48	DRIG-M48	M48×2.0	AD42.5	48.0	36.5	14.0
DRIB-M50	DRIG-M50	M50×1.5	AD54.5	50.0	36.5	14.0
DRIB-M63	DRIG-M63	M63×1.5	AD54.5	63.0	43.0	14.5
DRIB-P7	DRIG-P7	PG7	AD10.0	12.5	7.0	10.0
DRIB-P9	DRIG-P9	PG9	AD13.0	15.2	10.0	9.5
DRIB-P11	DRIG-P11	PG11	AD15.8	18.6	12.0	9.5
DRIB-P13.5	DRIG-P13.5	PG13.5	AD18.5	20.5	14.0	11.0
DRIB-P16	DRIG-P16	PG16	AD21.2	22.5	17.0	13.0
DRIB-P21	DRIG-P21	PG21	AD28.5	28.3	23.5	13.0
DRIB-P29	DRIG-P29	PG29	AD34.5	37.0	30.0	12.0
DRIB-P36	DRIG-P36	PG36	AD42.5	47.0	36.5	14.0
DRIB-P48	DRIG-P48	PG48	AD54.5	59.3	48.0	14.5

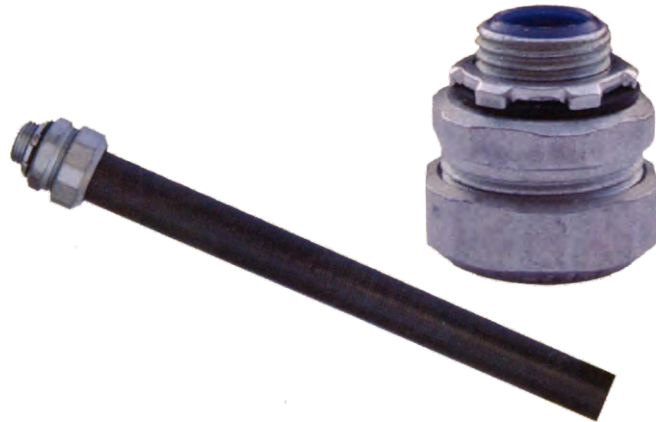
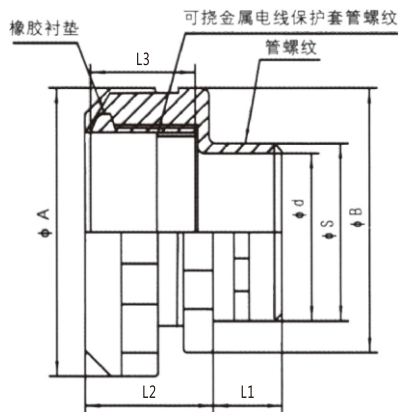


# 90° Nylon Union Conduit Fittings 90度尼龙快插接头



- 材质：尼龙66
  - 颜色：黑、灰
  - 防火等级：UL94V-2
  - 防护等级：IP54
  - 耐温范围：-40°C ~ +115°C
- Material : Nylon 66
  - Color : Black、grey
  - Fire-protection class : UL94V-2
  - Protection rating : IP54
  - Temperature range : -40°C ~ +115°C

型号 Part No.		螺纹标准 Thread Type	适配软管 Conduit Size	外径 O.D ( mm )	内径 I.D ( mm )	A ( mm )
黑Black	灰Grey					
DRIB-AM12	DRIG-AM12	M12×1.5	AD10.0	12.0	8.0	10.0
DRIB-AM12-1	DRIG-AM12-1	M12×1.5	AD13.0	12.0	8.0	10.0
DRIB-AM16	DRIG-AM16	M16×1.5	AD13.0	16.0	12.0	10.0
DRIB-AM16-1	DRIG-AM16-1	M16×1.5	AD15.8	16.0	12.0	11.0
DRIB-AM18	DRIG-AM18	M18×1.5	AD15.8	18.0	14.0	13.0
DRIB-AM20	DRIG-AM20	M20×1.5	AD15.8	20.0	15.5	13.0
DRIB-AM20-1	DRIG-AM20-1	M20×1.5	AD18.5	20.0	15.5	13.0
DRIB-AM25	DRIG-AM25	M25×1.5	AD18.5	25.0	18.0	13.0
DRIB-AM20	DRIG-AM20	M20×1.5	AD21.2	20.0	15.5	13.0
DRIB-AM24	DRIG-AM24	M24×1.5	AD21.2	24.0	17.0	13.0
DRIB-AM25-1	DRIG-AM25-1	M25×1.5	AD21.2	25.0	18.0	13.0
DRIB-AM25-2	DRIG-AM25-2	M25×1.5	AD28.5	25.0	18.0	13.0
DRIB-AM27	DRIG-AM27	M27×2.0	AD28.5	27.0	22.0	13.0
DRIB-AM32	DRIG-AM32	M32×1.5	AD28.5	32.0	24.0	12.0
DRIB-AM32-1	DRIG-AM32-1	M32×1.5	AD34.5	32.0	24.0	12.0
DRIB-AM36	DRIG-AM36	M36×2.0	AD34.5	36.0	29.0	12.0
DRIB-AM40	DRIG-AM40	M40×1.5	AD42.5	40.0	32.0	12.0
DRIB-AM50	DRIG-AM50	M50×1.5	AD54.5	50.0	39.0	14.0
DRIB-AM63	DRIG-AM63	M63×1.5	AD54.5	63.0	53.0	14.0
DRIB-AP7	DRIG-AP7	PG7	AD10.0	12.5	8.5	10.0
DRIB-AP9	DRIG-AP9	PG9	AD13.0	15.2	12.0	10.0
DRIB-AP11	DRIG-AP11	PG11	AD15.8	18.6	15.5	10.0
DRIB-AP13.5	DRIG-AP13.5	PG13.5	AD18.5	20.5	17.0	11.0
DRIB-AP16	DRIG-AP16	PG16	AD21.2	22.5	18.0	12.0
DRIB-AP21	DRIG-AP21	PG21	AD28.5	28.3	24.0	12.0
DRIB-AP29	DRIG-AP29	PG29	AD34.5	37.0	32.0	12.0
DRIB-AP36	DRIG-AP36	PG36	AD42.5	47.0	36.5	12.0
DRIB-AP48	DRIG-AP48	PG48	AD54.5	59.3	48.5	14.0

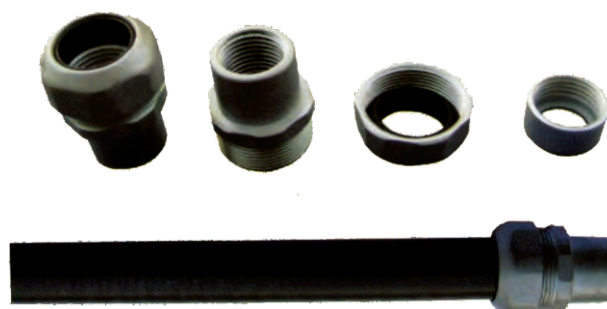
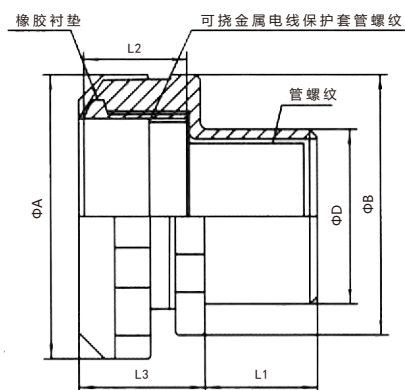


结构：由多个配件组合而成的复合连接器，一端为外管螺纹，一端为可挠金属电线保护套管螺纹。

材质为锌铝合金，表层镀锌或铬。

用途：用于包塑防水型可挠金属电线保护套管LV与配电箱、电机、仪器仪表之间的连接。

型号 Part No.	管规格 Size	L1 mm	L2 mm	L3 mm	ΦA mm	ΦB mm	Φd mm	ΦS mm	管螺纹 "
WBG-12	12#	12	24.5	27	37.0	34.0	14.5	20.9	G1/2
WBG-15	15#	12	24.5	27	37.0	34.0	14.5	20.9	G1/2
WBG-17	17#	12	23.5	27	37.0	34.0	14.5	20.9	G1/2
WBG-24	24#	12	25.5	30	46.0	42.8	19.7	26.4	G3/4
WBG-30	30#	16	29.0	33	54.0	50.5	25.8	33.2	G 1
WBG-38	38#	16	33.0	37	64.0	60.0	34.3	41.9	G1-1/4
WBG-50	50#	18	34.5	38	78.0	73.5	40.0	47.8	G1-1/2
WBG-63	63#	18	37.0	44	92.0	90.0	52.0	59.6	G 2
WBG-76	76#	18	42.0	48	108.0	104.0	67.5	75.1	G2-1/2
WBG-83	83#	20	42.0	49	121.7	115.8	77.8	87.8	G 3
WBG-101	101#	20	52.0	57	145.0	150.0	88.5	113.0	G 4



结构：由多个配件组合而成的复合连接器，一端为外管螺纹，一端为可挠金属电线保护套管螺纹。

材质为锌铝合金，表层镀锌或铬。

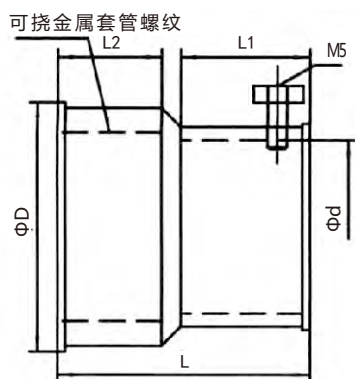
用途：用于包塑防水型可挠金属电线保护套管LV与带螺纹钢管之间的连接。

型号 Part No.	软管规格 Size	L1 mm	L2 mm	L3 mm	ΦA mm	ΦB mm	ΦD mm	管螺纹 "	钢管规格 Size
WUG-17	17#	19.0	24.5	27.0	37.0	34.0	25.3	G1/2	15
WUG-24	24#	22.0	24.5	30.0	46.0	42.8	31.3	G3/4	20
WUG-30	30#	25.0	29.0	33.0	54.0	50.0	38.4	G1	25
WUG-38	38#	28.0	33.0	37.0	64.0	60.0	47.2	G1-1/4	32
WUG-50	50#	28.0	34.5	38.0	78.0	73.5	53.5	G1-1/2	40
WUG-63	63#	34.0	37.0	44.0	92.0	90.0	66.0	G2	50
WUG-76	76#	36.0	42.0	48.0	108.0	104.0	81.0	G2-1/2	70
WUG-83	83#	40.0	42.0	49.0	121.7	115.8	95.8	G3	80
WUG-101	101#	42.0	52.0	57.0	145.0	150.0	110.4	G4	100



结构：由可挠金属电线保护套管内螺纹和外管螺纹本体及紧固螺帽组成，材质为锌铝合金，表层镀锌或铬。  
用途：用于基本型可挠金属电线保护套管LZ、LV、LN和接线箱、电机、仪器仪表的连接。

型号 Part No.	软管规格 Size	L1 mm	L2 mm	L3 mm	L mm	ΦD mm	Φd mm	ΦS mm	管螺纹 ..
BG-12	12#	12.0	15.0	16.5	28.5	24.0	12.0	20.9	G1/2
BG-15	15#	12.0	15.0	16.5	28.5	24.0	15.0	20.9	G1/2
BG-17	17#	12.0	18.0	21.4	33.4	28.3	14.5	20.9	G1/2
BG-24	24#	12.0	20.0	23.4	35.4	35.5	19.7	26.4	G3/4
BG-30	30#	16.0	22.0	25.4	41.4	41.6	25.9	33.2	G1
BG-38	38#	16.0	25.0	28.9	44.9	50.5	34.4	41.9	G1-1/4
BG-50	50#	18.0	25.0	28.9	66.9	62.5	40.1	47.8	G1-1/2
BG-63	63#	18.0	35.0	39.0	57.0	76.6	51.5	59.6	G2
BG-76	76#	18.0	35.0	39.0	57.0	90.4	66.5	75.1	G2-1/2
BG-83	83#	20.0	35.0	39.0	59.0	95.6	79.0	87.7	G3
BG-101	101#	22.0	40.0	44.5	66.5	116.6	89.0	113.0	G4



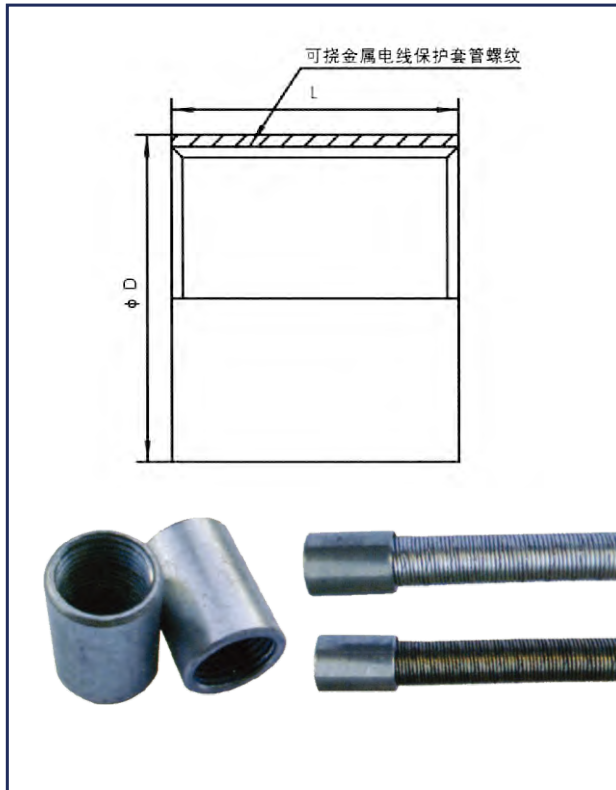
结构：具有可挠金属电线保护套管内螺纹和接孔紧固螺钉的锌铝合金连接器，表层镀锌或铬。

用途：VKC-C用于可挠金属电线保护套管LZ、LN和厚壁钢管连接。

另有 VKC-J 供客户选择，用于可挠金属电线保护套管和钢制电线管连接。

型号 Part No.	软管规格 Size	L1 mm	L2 mm	L mm	ΦA mm	ΦD mm	Φd mm	管螺纹 "	钢管规格 Size
VKC-17-C	17#	22.0	18.0	43.0	7.0	28.0	22.5	G1/2	15
VKC-24-C	24#	22.0	20.0	45.0	7.0	35.2	28.0	G3/4	20
VKC-30-C	30#	22.0	22.0	47.0	7.0	41.3	35.0	G 1	25
VKC-38-C	38#	27.0	25.0	55.0	8.0	50.3	44.0	G1-1/4	32
VKC-50-C	50#	27.0	25.0	55.0	8.0	62.3	50.5	G1-1/2	40
VKC-63-C	63#	35.0	35.0	73.0	9.0	76.8	61.0	G2	50
VKC-76-C	76#	35.0	35.0	73.0	9.0	90.8	81.0	G2-1/2	70
VKC-83-C	83#	35.0	35.0	73.0	9.0	97.0	89.4	G3	80
VKC-101-C	101#	35.0	35.0	73.0	9.0	127.0	115.1	G 4	100

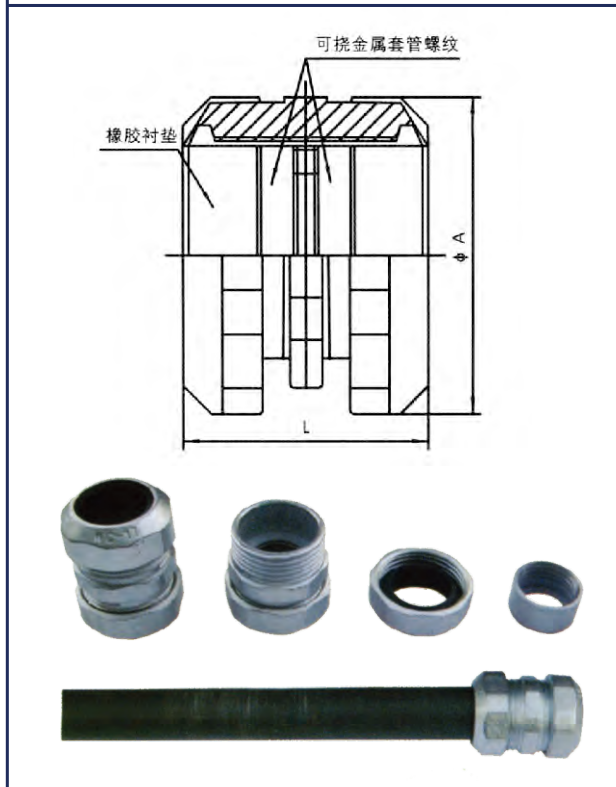




型号 Part No.	软管规格 Size	L mm	φD mm
KS-12	12#	33.0	22.8
KS-15	15#	33.0	22.8
KS-17	17#	39.0	25.0
KS-24	24#	43.0	32.8
KS-30	30#	47.0	39.4
KS-38	38#	53.0	47.8
KS-50	50#	53.0	60.2
KS-63	63#	73.0	76.3
KS-76	76#	73.0	89.1
KS-83	83#	73.0	97.7

结构：具有可挠金属电线保护套管内螺纹的锌铝合金连接器，表层镀锌或铬。

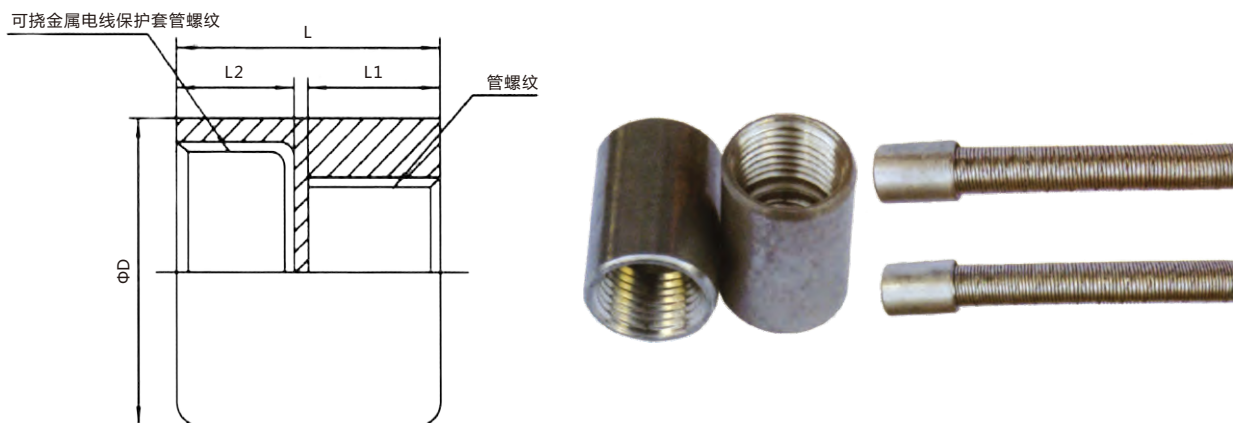
用途：基本型可挠金属电线保护套管LZ、LN之间的连接。



型号 Part No.	软管规格 Size	φA mm	L mm
WC-17	17#	37.0	51.0
WC-24	24#	46.0	57.0
WC-30	30#	54.0	65.0
WC-38	38#	64.0	71.0
WC-50	50#	78.0	77.0
WC-63	63#	92.0	86.0
WC-76	76#	108.0	92.0
WC-83	83#	121.7	95.0
WC-101	101#	144.5	113.0

结构：由多个配件组合而成的复合连接器，两端为可挠金属电线保护套管螺纹。材质为锌铝合金，表层镀锌或铬。

用途：用于包塑防水型可挠金属电线保护套管LV之间的连接。



结构：具有可挠金属电线保护套管内螺纹和钢管内螺纹的锌铝合金连接器，表层镀锌或铬。

用途：用于基本型可挠金属电线保护套管LZ、LN和带螺纹钢管的连接。

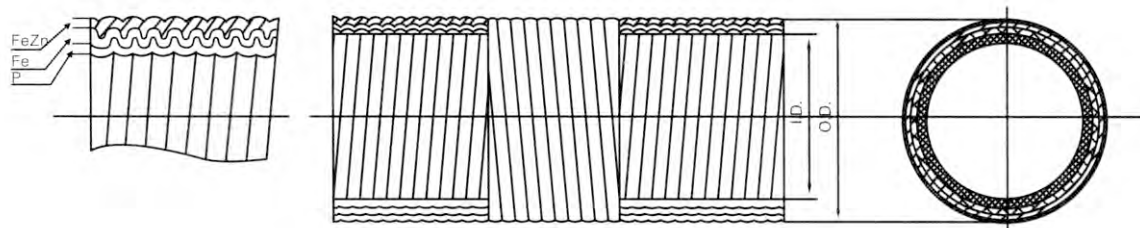
型号 Part No.	软管规格 Size	L1 mm	L2 mm	L mm	ΦD mm	管螺纹 ''
KG-12	12#	19.0	15.0	37.0	24.0	G1/2
KG-15	15#	19.0	15.0	37.0	26.0	G1/2
KG-17	17#	19.0	18.0	40.0	28.3	G1/2
KG-24	24#	22.0	20.0	45.0	35.5	G3/4
KG-30	30#	25.0	22.0	50.0	41.6	G1
KG-38	38#	28.0	25.0	56.0	50.5	G1-1/4
KG-50	50#	28.0	25.0	56.0	62.5	G1-1/2
KG-63	63#	32.0	35.0	70.0	76.8	G2
KG-76	76#	36.0	35.0	74.0	90.6	G2-1/2
KG-83	83#	40.0	35.0	78.0	95.8	G3
KG-101	101#	42.5	40.0	85.5	116.6	G3-1/2



结构：具有可挠金属电线保护套管内螺纹的塑料连接件。BP有 $\Phi D$ 通孔，BPB顶端配有封闭防尘片，待穿线时凿开即可。

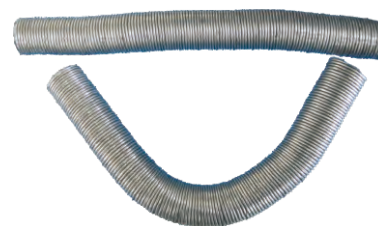
用途：BP为了保护电线电缆绝缘层不受损伤，安装在可挠金属电线保护套管LV、LZ、LN末端。  
BPB防止在电气配管施工时灰尘和沙土进入，造成穿线困难，安装在套管末端的防护塑料封口。

型号 Part No.	软管规格 Size	L mm	$\Phi D$ mm	A mm
BP/BPB-12	12#	14.0	10.9	23.5
BP/BPB-15	15#	14.0	13.6	26.5
BP/BPB-17	17#	16.5	16.3	29.4
BP/BPB-24	24#	17.5	23.3	36.7
BP/BPB-30	30#	19.5	28.8	43.2
BP/BPB-38	38#	21.0	37.1	52.7
BP/BPB-50	50#	22.0	48.6	65.2
BP/BPB-63	63#	24.0	61.2	79.5
BP/BPB-76	76#	26.0	74.4	94.1
BP/BPB-83	83#	28.0	82.2	102.1
BP/BPB-101	101#	28.0	99.0	121.0



LZ-4基本型可挠金属电线保护套管，外层为镀锌钢带，中间层为钢带，里层为耐水电工纸。

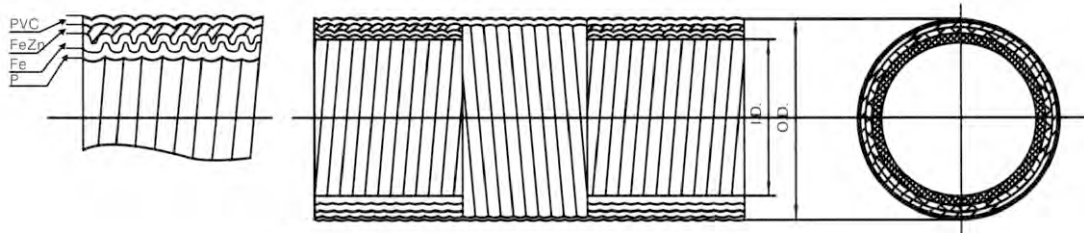
主要用于室内干燥场所装修、消防、照明、仪器仪表、电气设备安装等。



型号 Part No.	内径 I.D.(mm)	外径 O.D.(mm)	外径公差 Tolerance (mm)	米/卷 (M/coil)	钢管对应规格 Pipe Size		电线管对应规格 Conduit Size	
					mm	管螺纹	mm	管螺纹
12#	11.4	16.1	±0.2	50	8	G1 / 4	13	G1 / 2
15#	14.1	19.0	±0.2	50	10	G3 / 8	16	G5 / 8
17#	16.6	21.5	±0.2	50	15	G1 / 2	19	G3 / 4
24#	23.8	28.8	±0.2	25	20	G3 / 4	25	G1
30#	29.3	34.9	±0.2	25	25	G1	32	G1-1/4
38#	37.1	42.9	±0.4	25	32	G1-1/4	38	G1-1/2
50#	49.1	54.9	±0.4	25	40	G1-1/2	51	G2
63#	62.6	69.1	±0.6	10	50	G2	64	G2-1/2
76#	76.0	82.9	±0.6	10	70	G2-1/2	76	G3
83#	81.0	88.1	±0.6	10	80	G3		
101#	100.2	107.3	±0.6	5	100	G4		

### 相关配置说明

- 1、套管12#、15#、17#每卷允许有两个接头(三根)，短头部分最低限度不能少于15M。24#、30#、38#、50#每卷允许有一个接头(二根)，短头部分最低限度不能少于10M。
- 2、可挠金属电线保护套管与钢管依据内径尺寸对应。



LV-5 包塑防水型可挠金属电线保护套管，用特殊方法在LZ-4金属套管表面，包覆一层具有良好柔韧性软质聚氯乙烯(PVC)。该产品除具有LZ型特点外，还有优异的耐水性、耐腐蚀性、耐化学药品性，适用于潮湿场所暗埋和直埋地下配管。

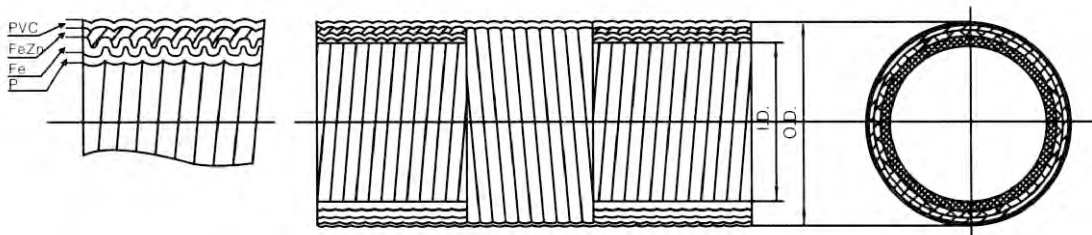


型号 Part No.	内径 I.D.(mm)	外径 O.D.(mm)	外径公差 Tolerance (mm)	乙稀层厚度 PVC Thickness (mm)	米卷 (M/coil)	钢管对应规格 Pipe Size		电线管对应规格 Conduit Size	
						mm	管螺纹	mm	管螺纹
12#	11.4	17.7	±0.2	0.6	50	8	G1 / 4	13	G1 / 2
15#	14.1	20.6	±0.2	0.6	50	10	G3 / 8	16	G5 / 8
17#	16.6	23.1	±0.2	0.6	50	15	G1 / 2	19	G3 / 4
24#	23.8	30.4	±0.2	0.6	25	20	G3 / 4	25	G1
30#	29.3	36.5	±0.2	0.6	25	25	G1	32	G1-1/4
38#	37.1	44.9	±0.4	0.6	25	32	G1-1/4	38	G1-1/2
50#	49.1	56.9	±0.4	0.8	25	40	G1-1/2	51	G2
63#	62.6	71.5	±0.6	0.8	10	50	G2	64	G2-1/2
76#	76.0	85.3	±0.6	0.8	10	70	G2-1/2	76	G3
83#	81.0	90.9	±0.8	1.0	10	80	G3		
101#	100.2	110.1	±0.8	1.0	5	100	G4		

### 相关配置说明

- 1、套管12#、15#、17#每卷允许有两个接头(三根)，短头部分最低限度不能少于8M。24#、30#、38#、50#每卷允许有一个接头(二根)，短头部分最低限度不能少于5M。
- 2、可挠金属电线保护套管与钢管依据内径尺寸对应。





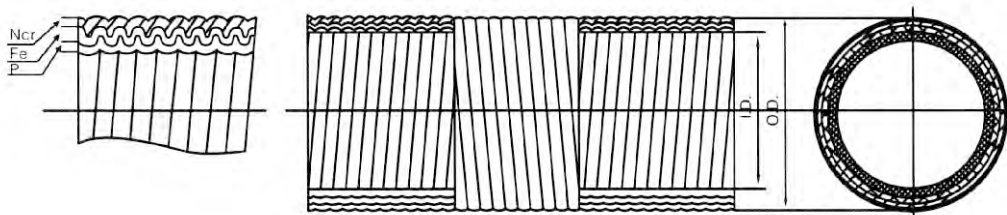
LV-5Z包塑阻燃型可挠金属电线保护套管，其结构规格与LV-5相同，防火性能强，适用于室内外潮湿、防火要求较高的电气施工、裸露配管、仪器仪表、设备安装配管。



型号 Part No.	内径 I.D.(mm)	外径 O.D.(mm)	外径公差 Tolerance (mm)	乙稀层厚度 PVC Thickness (mm)	米/卷 (M/coil)	钢管对应规格 Pipe Size		电线管对应规格 Conduit Size	
						mm	管螺纹	mm	管螺纹
12#	11.4	17.7	±0.2	0.6	50	8	G1/4	13	G1/2
15#	14.1	20.6	±0.2	0.6	50	10	G3/8	16	G5/8
17#	16.6	23.1	±0.2	0.6	50	15	G1/2	19	G3/4
24#	23.8	30.4	±0.2	0.6	25	20	G3/4	25	G1
30#	29.3	36.5	±0.2	0.6	25	25	G 1	32	G1-1/4
38#	37.1	44.9	±0.4	0.6	25	32	G1-1/4	38	G1-1/2
50#	49.1	56.9	±0.4	0.8	25	40	G1-1/2	51	G2
63#	62.6	71.5	±0.6	0.8	10	50	G2	64	G2-1/2
76#	76.0	85.3	±0.6	0.8	10	70	G2-1/2	76	G3
83#	81.0	90.9	±0.8	1.0	10	80	G3		
101#	100.2	110.1	±0.8	1.0	5	100	G4		

### 相关配置说明

- 1、套管12#、15#、17#每卷允许有两个接头(三根)，短头部分最低限度不能少于8M。24#、30#、38#、50#每卷允许有一个接头(二根)，短头部分最低限度不能少于5M。
- 2、可挠金属电线保护套管与钢管依据内径尺寸对应。

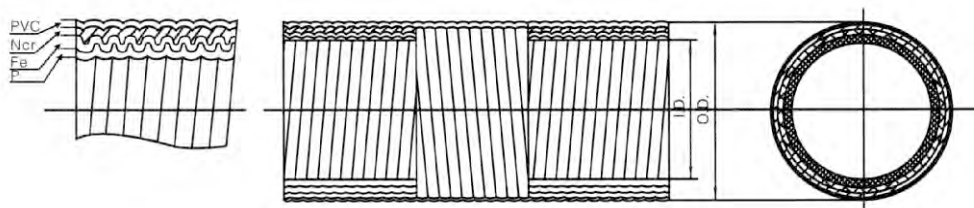


LN-4B可挠金属电线保护套管，外层为不锈钢带，中间层为钢带，里层为耐水电工纸。  
本管表面永不生锈、耐震、耐腐性能更强。抗拉强度、径向压缩力进一步提高。可用于各种干燥场所的装修、消防、照明、仪表仪器、电器设备安装、人防工程、交通、纺织等。

型号 Part No.	内径 I.D(mm)	外径 O.D(mm)	外径公差 Tolerance (mm)	米卷 (M/coil)	钢管对应规格 Pipe Size		电线管对应规格 Conduit Size	
					mm	管螺纹	mm	管螺纹
15#	14.1	19.0	±0.2	50	10	G3/8	16	G5/8
17#	16.6	21.5	±0.2	50	15	G1/2	19	G3/4
24#	23.8	28.8	±0.2	25	20	G3/4	25	G1
30#	29.3	34.9	±0.2	25	25	G1	32	G1-1/4
38#	37.1	42.9	±0.4	25	32	G1-1/4	38	G1-1/2
50#	49.1	54.9	±0.4	25	40	G1-1/2	51	G2
63#	62.6	69.1	±0.6	10	50	G2	64	G2-1/2
76#	76.0	82.9	±0.6	10	70	G2-1/2	76	G3
83#	81.0	88.1	±0.6	10	80	G3		
101#	100.2	107.3	±0.6	5	100	G4		

### 相关配置说明

- 1、套管15#、17#每卷允许有两个接头(三根)，短头部分最低限度不能少于10M。24#、30#、38#、50#每卷允许有一个接头(二根)，短头部分最低限度不能少于8M。
- 2、可挠金属电线保护套管与钢管依据内径尺寸对应。

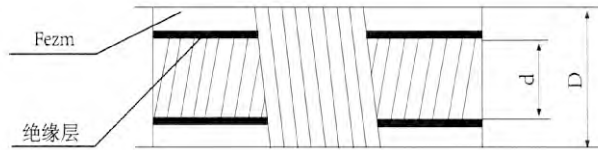


LN-5不锈钢带包塑防水型可挠金属电线保护套管，  
在LN-4B金属套管表面包覆一层具有良好柔韧性的软质聚氯乙烯(PVC)保护层。  
本管除了具有LN-4B特点外，还有优异的耐水性、耐腐蚀性、耐化学药品性，可以作为各种明、暗预埋和直埋配管，也可以替代地面线槽布线用管等。

型号 Part No.	内径 I.D.(mm)	外径 O.D.(mm)	外径公差 Tolerance (mm)	乙稀层厚度 PVC Thickness (mm)	米/卷 (M/coil)	钢管对应规格 Pipe Size		电线管对应规格 Conduit Size	
						mm	管螺纹	mm	管螺纹
12#	11.4	17.7	±0.2	0.6	50	8	G1/4	13	G1/2
15#	14.1	20.6	±0.2	0.6	50	10	G3/8	16	G5/8
17#	16.6	23.1	±0.2	0.6	50	15	G1/2	19	G3/4
24#	23.8	30.4	±0.2	0.6	25	20	G3/4	25	G1
30#	29.3	36.5	±0.2	0.6	25	25	G1	32	G1-1/4
38#	37.1	44.9	±0.4	0.6	25	32	G1-1/4	38	G1-1/2
50#	49.1	56.9	±0.4	0.8	25	40	G1-1/2	51	G2
63#	62.6	71.5	±0.6	0.8	10	50	G2	64	G2-1/2
76#	76.0	85.3	±0.6	0.8	10	70	G2-1/2	76	G3
83#	81.0	90.9	±0.8	1.0	10	80	G3		
101#	100.2	110.1	±0.8	1.0	5	100	G4		

### 相关配置说明

- 1、套管12#、15#、17#每卷允许有两个接头(三根)，短头部分最低限度不能少于8M。24#、30#、38#、50#每卷允许有一个接头(二根)，短头部分最低限度不能少于5M。
- 2、可挠金属电线保护套管与钢管依据内径尺寸对应。



-40°C ~ +150°C

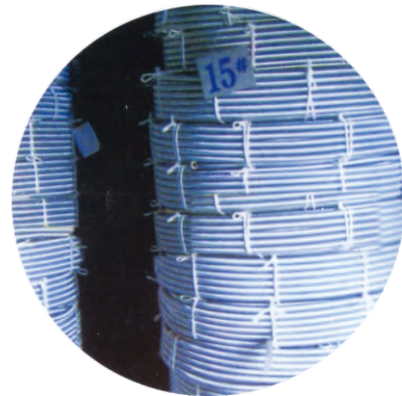
### KZ-1基本型可挠(金属)电气导管

产品结构：外层为热镀锌钢带(Fezn)，里层为阻燃防腐绝缘层。

适用范围：适用于干燥场所及埋入混凝土中的配管，如装修吊顶、消防、照明、仪器仪表、电气设备安装等低压电气配管工程。

性能特点：可挠、耐水、防腐、阻燃、绝缘、安全。

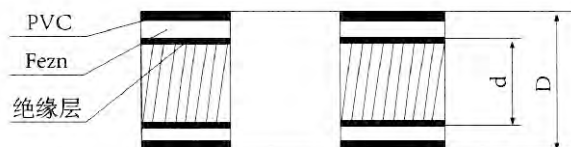
- 使用优势：
- 1、可挠性好、施工简单方便。
  - 2、双重防腐，使用寿命长。
  - 3、内层绝缘，安全可靠。
  - 4、抗震性好，屏蔽作用好。
  - 5、材料利用率可达100%
  - 6、阻燃防腐绝缘层无毒、无害、环保等。



型号 Part No.	内径 I.D(mm)	外径 O.D(mm)	外径公差 Tolerance (mm)	米/卷 (M/coil)	重量/卷 (Kg/Coil)	钢管对应规格 Pipe Size		电线管对应规格 Conduit Size	
						mm	管螺纹"	mm	管螺纹"
15#	16.0	19.0	±0.2	50	18.5	15	G1/2	16	G5/8
17#	18.3	21.5	±0.2	50	24.5	20	G3/4	19	G3/4
24#	24.8	28.8	±0.2	25	13.5	25	G1	25	G1
30#	30.9	34.9	±0.2	25	25.5	32	G1-1/4	32	G1-1/4
38#	38.9	42.9	±0.4	25	30.6	40	G1-1/2	38	G1-1/2
50#	50.5	54.9	±0.4	25	39.5	50	G2	51	G2
63#	64.6	69.1	±0.6	10	19.5	65	G2-1/2	64	G2-1/2
76#	77.9	82.9	±0.6	10	25.3	65	G2-1/2	76	G3
83#	82.6	88.1	±0.6	10	27.4	80	G3		
101#	101.1	107.3	±0.6	5	17.1	100	G4		
130#	126.4	132.6	±0.6	5	18.9	125	G5		

# Electrical Tube KV-1 (PVC Covered Waterproof Type)

## 可挠金属电气导管KV-1防水型



-20°C ~ +60°C  
 -20°C ~ +105°C  
 -40°C ~ +60°C

### KV-1防水型可挠(金属)电气导管

产品结构：KV-1防水型可挠(金属)电气导管，用特殊方法在KZ基本型可挠(金属)电气导管表面，包覆一层具有良好柔韧性，软质聚氯乙烯(PVC)。

适用范围：室内、外潮湿场所(明、暗敷均可)；有水蒸气的场所，有酸或碱等腐蚀的场所；墙体；混凝土地面；楼板垫层；现浇钢筋混凝土楼板内；直埋地下；电气设备安装； 低压电气配管工程等。

性能特点：除具有KZ基本型特点外，还有优异的防水性、耐腐蚀性，耐化学性等特点。

使用优势：1、可挠性好、施工简单方便。 2、双重防腐，使用寿命长。

3、内层绝缘，安全可靠。 4、抗震性好，屏蔽作用好。

5、材料利用率可达100% 6、防水防紫外线，抗老化，阻燃防腐绝缘层无毒、无害、环保等。

型号 Part No.	内径 I.D(mm)	外径 O.D(mm)	外径公差 Tolerance (mm)	米/卷 (M/coil)	重量/卷 (Kg/Coil)	钢管对应规格 Pipe Size		电线管对应规格 Conduit Size	
						mm	管螺纹	mm	管螺纹
15#	16.0	20.6	±0.2	50	25.5	15	G1/2	16	G5/8
17#	18.3	23.1	±0.2	50	30.6	20	G3/4	19	G3/4
24#	24.8	30.4	±0.2	25	21.3	25	G1	25	G1
30#	30.9	36.5	±0.2	25	28.8	32	G1-1/4	32	G1-1/4
38#	38.9	44.9	±0.4	25	30.7	40	G1-1/2	38	G1-1/2
50#	50.5	56.9	±0.4	25	37.5	50	G2	51	G2
63#	64.6	71.5	±0.6	10	20.4	65	G2-1/2	64	G2-1/2
76#	77.9	85.3	±0.6	10	29.5	65	G2-1/2	76	G3
83#	82.6	90.9	±0.8	10	41.2	80	G3		
101#	101.1	110.1	±0.8	5	27.8	100	G4		
130#	126.4	136.7	±0.8	5	30.8	125	G5		



规格 Size		盒直径 (Dia)mm	高度 (Height)mm
4分	1/2"	76	36
6分	3/4"	76	39
1寸	1"	80	49
1.2寸	1-1/4"	95	60
1.5寸	1-1/2"	119	70
2寸	2"	119	82



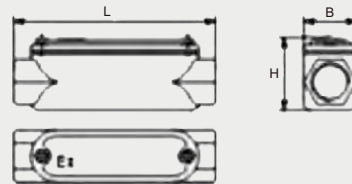
材质：铝合金(Material:Aluminum Alloy)

## Explosive Proof Junction Box

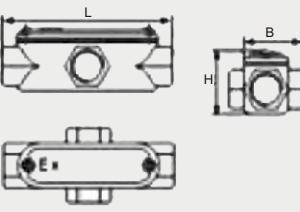
### 防爆穿线盒


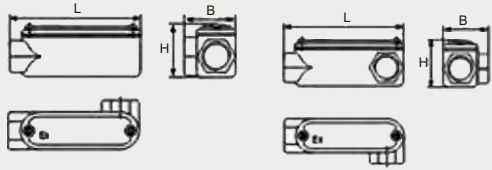

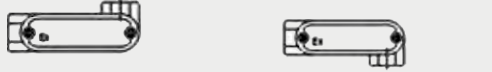
型号 Part No.	管子内径( $\phi$ , mm) Conduit ID	进线口螺纹 Box Thread	L	B	H
DRI-A1/2"	15	G1/2"	121	33	42
DRI-A3/4"	20	G3/4"	141	37	51
DRI -A1"	25	G1"	157	45	58
DRI-A1-1/4"	32	G1-1/4"	183	53	69
DRI-A1-1/2"	40	G1-1/2"	198	60	74
DRI-A2"	50	G2"	225	73	85
DRI-A2-1/2"	70	G2-1/2"	262	95	112
DRI-A3"	80	G3"	248	104	126
DRI-A4"	100	G4"	300	120	135


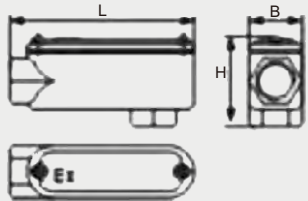
A 型  
(A Type)



B 型 ( B Type )					
型号 Part No.	管子内径( $\varphi$ , mm) Conduit ID	进线口螺纹 Box Thread	L	B	H
DRI-B1/2"	15	G1/2"	121	45	42
DRI-B3/4"	20	G3/4"	141	49	51
DRI-B1"	25	G1"	157	59	58
DRI-B1-1/4"	32	G1-1/4"	183	71	69
DRI-B1-1/2"	40	G1-1/2"	198	79	74
DRI-B2"	50	G2"	225	94	85
DRI-B2-1/2"	70	G2-1/2"	262	120	112
DRI-B3"	80	G3"	248	128	126
DRI-B4"	100	G4"	300	145	135

C 型 ( C Type )					
型号 Part No.	管子内径( $\varphi$ , mm) Conduit ID	进线口螺纹 Box Thread	L	B	H
DRI-C1/2"	15	G1/2"	121	57	42
DRI-C3/4"	20	G3/4"	141	61	51
DRI-C1"	25	G1"	157	73	58
DRI-C1-1/4"	32	G1-1/4"	183	89	69
DRI-C1-1/2"	40	G1-1/2"	198	98	74
DRI-C2"	50	G2"	225	115	85
DRI-C2-1/2"	70	G2-1/2"	262	145	112
DRI-C3"	80	G3"	248	152	126
DRI-C4"	100	G4"	300	180	135

D 型 (D Type)					
E 型 (E Type)					
型号	管子内径( $\varphi$ , mm)	进线口螺纹	L	B	H
Part No.	Conduit ID	Box Thread			
DRI-D1/2"	15	G1/2"	109	45	42
DRI-D3/4"	20	G3/4"	129	49	51
DRI-D1"	25	G1"	143	59	58
DRI-D1-1/4"	32	G1-1/4"	165	71	69
DRI-D1-1/2"	40	G1-1/2"	179	79	74
DRI-D2"	50	G2"	204	94	85
DRI-D2-1/2"	70	G2-1/2"	237	120	112
DRI-D3"	80	G3"	224	128	126
DRI-D4"	100	G4"	275	145	135

F 型 (F Type)					
型号	管子内径( $\varphi$ , mm)	进线口螺纹	L	B	H
Part No.	Conduit ID	Box Thread			
DRI-F1/2"	15	G1/2"	109	33	54
DRI-F3/4"	20	G3/4"	129	37	63
DRI-F1"	25	G1"	143	45	72
DRI-F1-1/4"	32	G1-1/4"	165	53	87
DRI-F1-1/2"	40	G1-1/2"	179	60	93
DRI-F2"	50	G2"	204	73	106
DRI-F2-1/2"	70	G2-1/2"	237	95	137
DRI-F3"	80	G3"	224	104	150
DRI-F4"	100	G4"	275	120	160

G 型 (G Type)					
型号 Part No.	管子内径( $\phi$ , mm) Conduit ID	进线口螺纹 Box Thread	L	B	H
DRI-G1/2"	15	G1/2"	121	33	42
DRI-G3/4"	20	G3/4"	141	37	63
DRI-G1"	25	G1"	157	45	72
DRI-G1-1/4"	32	G1-1/4"	183	53	87
DRI-G1-1/2"	40	G1-1/2"	198	60	93
DRI-G2"	50	G2"	225	73	106
DRI-G2-1/2"	70	G2-1/2"	262	95	137
DRI-G3"	80	G3"	248	104	150
DRI-G4"	100	G4"	300	120	160

H 型 (H Type)					
型号 Part No.	管子内径( $\phi$ , mm) Conduit ID	进线口螺纹 Box Thread	L	B	H
DRI-H1/2"	15	G1/2"	87	30	52
DRI-H3/4"	20	G3/4"	93	35	57
DRI-H1"	25	G1"	106	43	65
DRI-H1-1/4"	32	G1-1/4"	121	49	87
DRI-H1-1/2"	40	G1-1/2"	137	54	92
DRI-H2"	50	G2"	157	45	58
DRI-H2-1/2"	70	G2-1/2"	218	88	123
DRI-H3"	80	G3"	224	88	126
DRI-H4"	100	G4"	300	120	142

**产品特点：**

- 1、铸铝合金外壳，表面喷塑。
- 2、结构形式多样、便于安装。

**适用范围：**

- 1、爆炸性气体混合物危险场所：1区、2区。
- 2、爆炸性气体混合物：IIA、IIB、IIC。
- 3、防爆标志：ExeII。

**Features:**

- 1、Aluminum alloy , surface sprayed.
- 2、Various structures and easy to install.

**Applications:**

- 1、Explosive gas mixtures dangerous places: Zone1,Zone2.
- 2、Explosive gas mixtures: IIA、IIB、IIC.
- 3、Ex-marking: ExeII.



防水平管



UL防水平管



波浪金属软管



低烟毒金属软管



UL镀锌软管



不锈钢304单扣软管



不锈钢304双扣软管



不锈钢304防水平包管



不锈钢304防爆编织管



普利卡金属软管



可挠电气导管



尼龙软管



双抛开尼龙软管



加强筋软管



不锈钢304防爆金属软管



金属接头



金属软管



可挠电气导管



双扣镀锌软管



单扣镀锌软管



防爆挠性连接管



不锈钢防爆挠性连接管



防爆挠性连接管



PVC钢丝软管



白色碳塑管





不锈钢外丝直头



不锈钢内丝接头



90度不锈钢接头



45度不锈钢接头



VJ铜接头



圆帽铜镀镍接头



方帽铜镀镍接头



90度铜镀镍接头



45度铜镀镍接头



VJ铁镀锌接头



铁镀白锌直头



铁镀五彩锌直头



90度铁镀锌接头



45度铁镀锌接头



锌合金接头



90度锌合金接头



45度锌合金接头



铁镀五彩锌特制接头



铜镀镍电缆接头



不锈钢特制电缆接头



尼龙电缆接头



不锈钢电缆接头



防水连接器WBG



防水连接器WUG



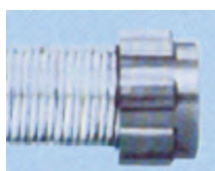
接线箱连接器BG



混合连接器VKC



接头连接器KS



绝缘护套BP/BPB



防水型直头连接器WC



UL90度弯头



螺接



EMT锁接



抱箍接头



EMT简易锁接



PVC接头



加强筋管直接头



90度加强筋管接头



尼龙接头



90度尼龙快插接头



快插接头



尼龙闷盖



铜镀镍闷盖



铜镀镍变径接头



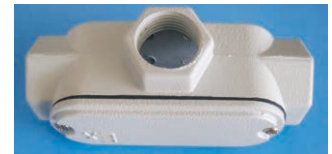
铁镀白锌变径接头



长方形角通接线盒



圆型两通接线盒



长方形三通接线盒



圆型四通接线盒



快速接头A类



快速接头B类



快速接头C类



快速接头D类



快速接头E类



快速接头F类



快速接头DC类



快速接头DP类



螺纹金属环



豁口金属环



铁镀白锌六爪太阳帽



铜镀镍太阳帽



衬环



衬套



切断夹具



管夹



管夹



# 工程案例

Project Case



一洋五金



天津一洋五金有限公司  
Tianjin Driflex Co., Ltd.

天津开发区第四大街95号C座305  
C305, No.95, The 4th Avenue, TEDA, Tianjin 300457, P.R. China  
Tel.: +86-22-6628 2961 / 6628 2962 / 6628 2963 / 6531 5276  
Fax.: +86-22-6628 2964 Email: sales@driflex.com



Visit our website at:

最新更详尽的产品资讯敬请访问

[www.driflex.com](http://www.driflex.com)

v13.09 ©2013 Driflex